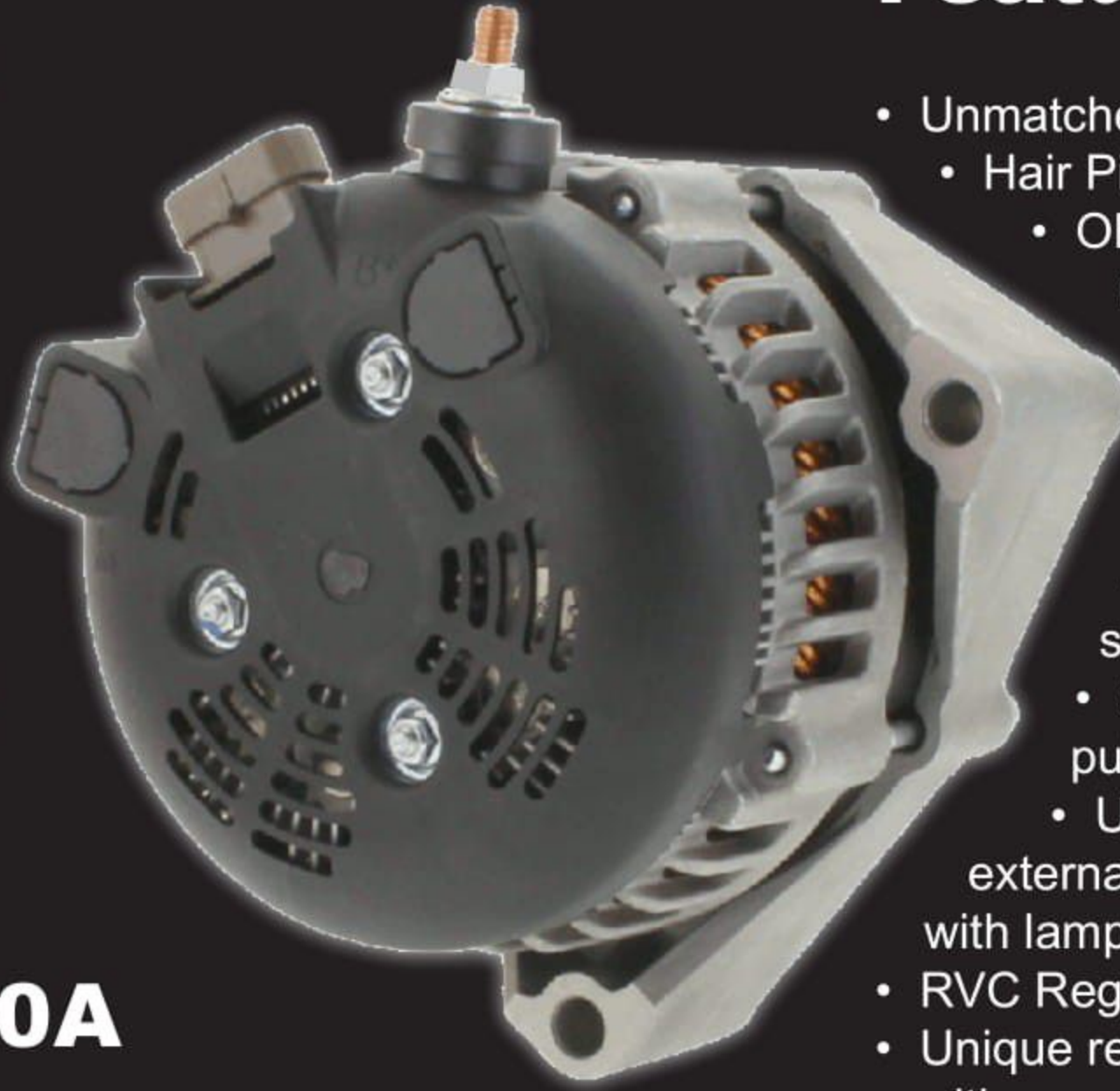


GM Mount HP Efficient Alternators Features:

**Fits Chevrolet
 and GMC
 Chassis**

- **Efficient**
- **High Output**

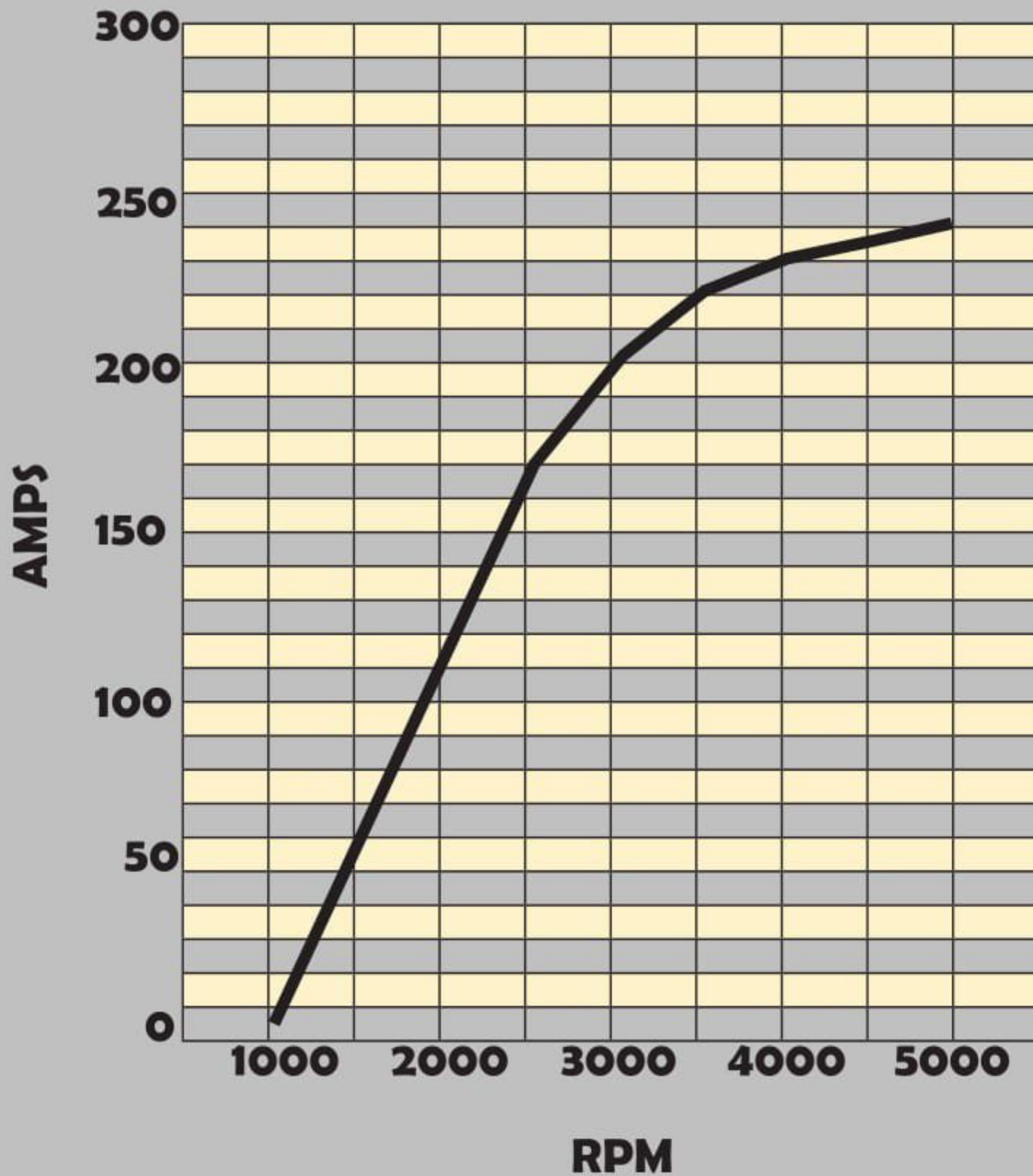
12V - 240A



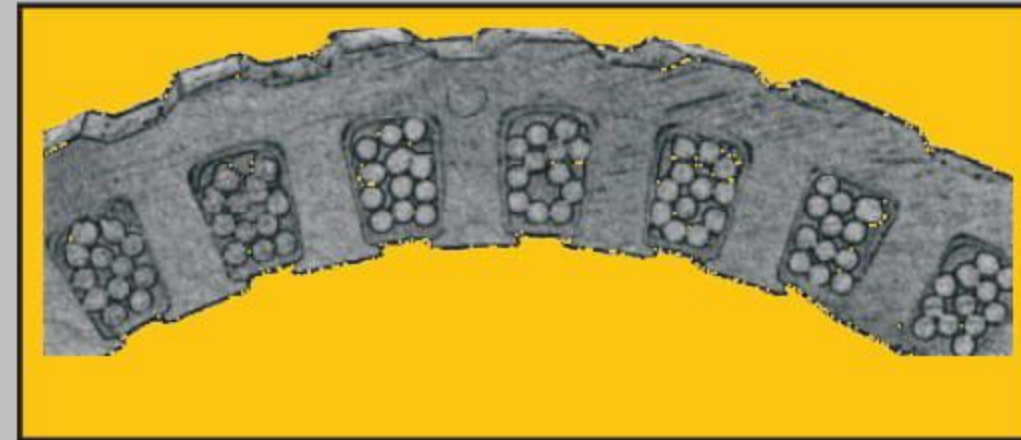
- Unmatched charging curve at idle - exceeding 170 amps
- Hair Pin, 6 phase stator maximizes slot fill
 - OEM engineered to produce high output - this is not a "Pumped Up" auto unit
 - 12 press fit 70A diodes with welded leads
 - Unmatched heat recovery
 - Super high heat bearings with 200+ degree seals and synthetic grease
 - 96 slot stator compared to 36 slot provides superior efficiency
- Shaft design accepts passive, IDP, and OWC pulley designs
- Universal Regulator circuit adapts to internal or external sensing as well as PCM or ignition excitation with lamp control
- RVC Regulator for specific applications
- Unique rectifier design allows for 3 different output post positions

Typical HP Series Output Curve

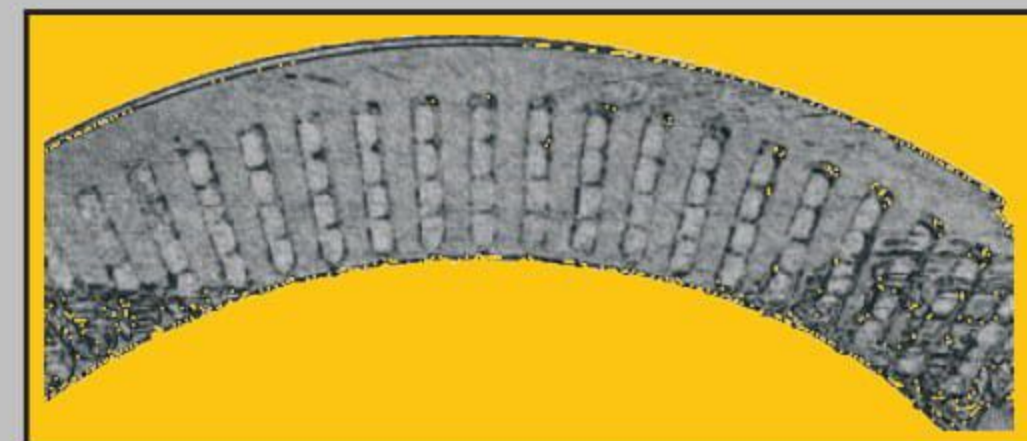
RPM	1000	2000	3000	4000	5000
AMPS	6	173	217	235	242



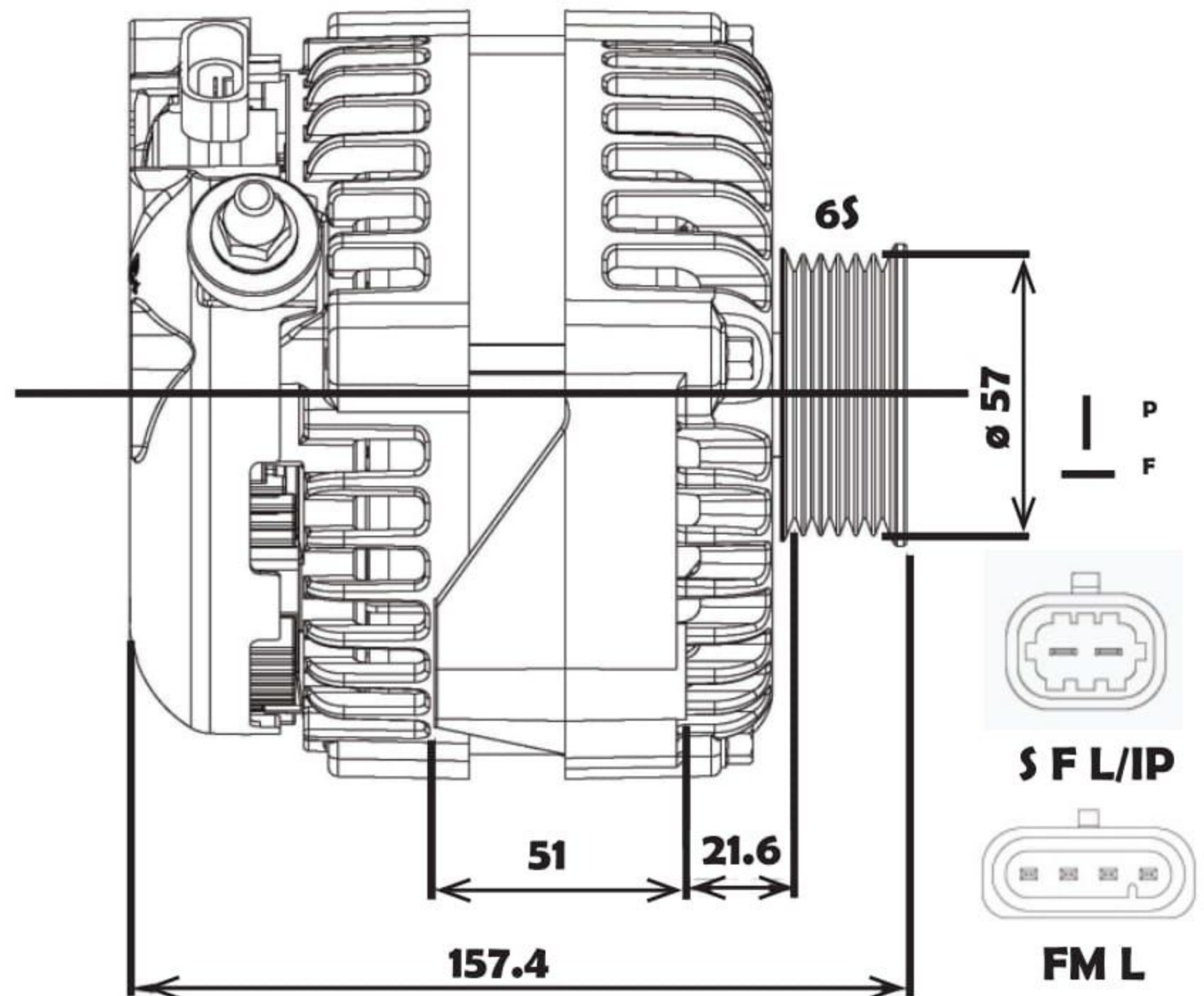
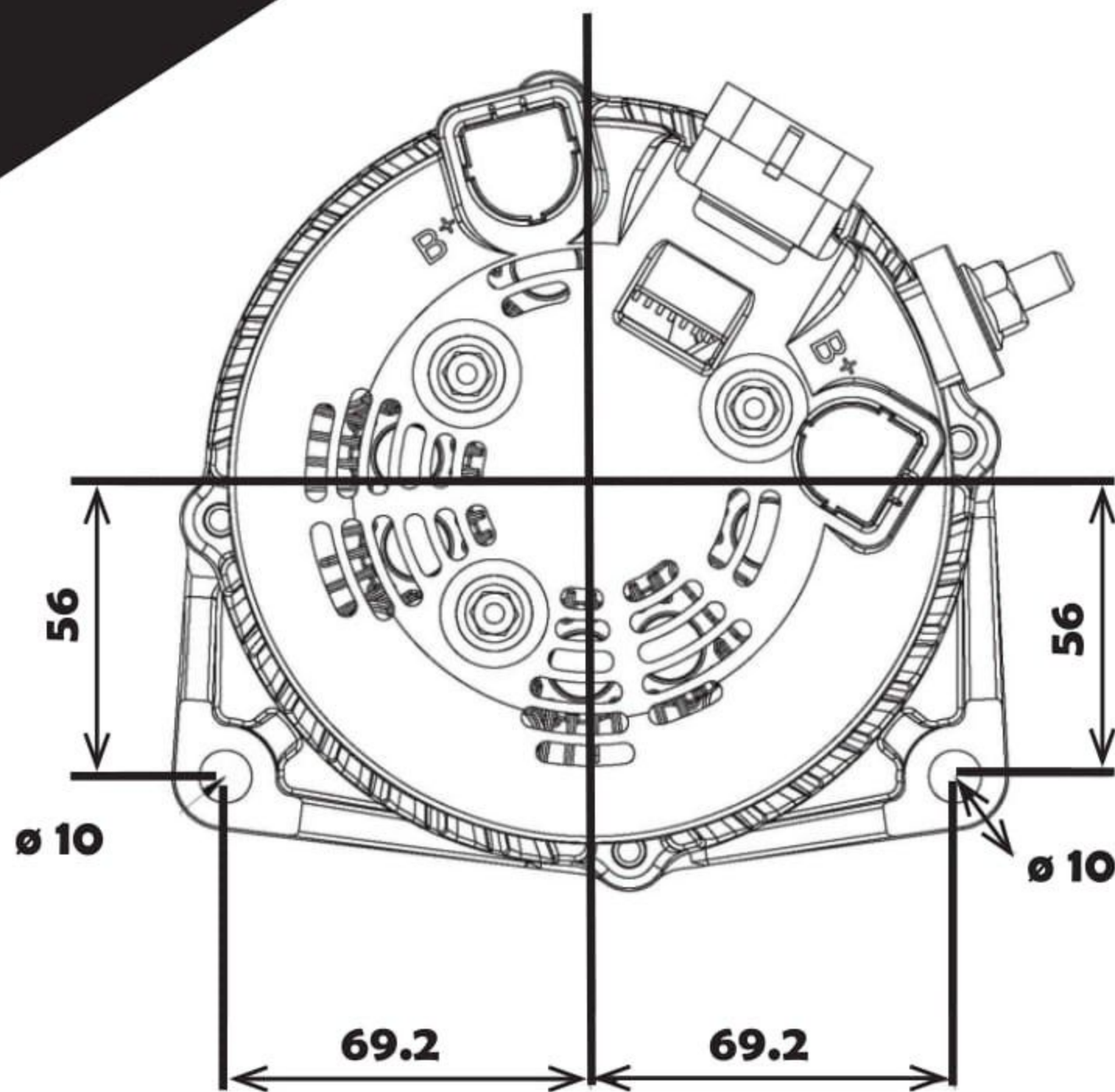
See the Difference?



Round Wire Stator with Air Gaps
 Limiting the Slot Fill



Hair Pin Stator with Solid Copper Maximized
 the Slot Fill and Copper to Steel Coupling



AVAILABLE OPTIONS

8292ND-240A

6G SERPENTINE PULLEY, CSD PLUG

REPLACES: Delco AD244 series, DR44G series, 10464476, 15754097, A, M, W, 15-22-6003, 6019239, 8-1046-476-0, 8-15226-003-0

KARAM #: 8495,8540, 8237, 8247

FITS: 1996 - 2012 BUICK, CADILLAC, CHEVY, GMC, HUMMER, ISUZU, SAAB 3.4L, 4.3L, 4.8L, 5.0L, 5.7L, 6.0L, 6.5L & 6.6L Diesel, 7.4L, 8.1L Engines

8302ND-240A

6G SERPENTINE PULLEY, RVC PLUG

REPLACES: Delco DR44G series, 10392759, 15263858, 15857609, 15905872, 25869451, 10392573

KARAM #: 8302

FITS: 2005-2008 GMC, CHEVY, CADILLAC SUV/PICKUP with 4.3L, 4.8L, 5.3L, 6.0L Engines

NOTE: RVC Regulator

PX4VND-240A

6G SERPENTINE PULLEY, EXTERNAL REGULATOR

REPLACES: PENNTEX PX4V series

KARAM #: 8206

FITS: CHEVROLET, GMC Light Trucks

NOTE: Externally Regulated

8489ND-240A

6G CLUTCH STYLE PULLEY, CSD PLUG

REPLACES: Delco DR44G series, 15845337, 15845338, **KARAM #:** 8299, 8489

FITS: 2006-2007 CHEVY, GMC Car/Light Truck with 6.6L Diesel Engine

8499ND-240A

6G CLUTCH STYLE PULLEY, RVC PLUG

REPLACES: Delco DR44G series, 15288860

KARAM #: 8499

FITS: 2007-2009 CHEVY Trailblazer 6.0L Engine, 2008-2009 SAAB 9-7X 6.0L Engine
6G CLUTCH STYLE PULLEY, RVC PLUG

PX520GND-240A

6G SERPENTINE PULLEY, EXTERNAL REGULATOR

REPLACES: PENNTEX PX-520GD, PX5GD-230

FITS: 2002-2007 HUMMER H2 6.0L Engine

NOTE: Externally Regulated, Optional

2.0" Pulley 24-1273